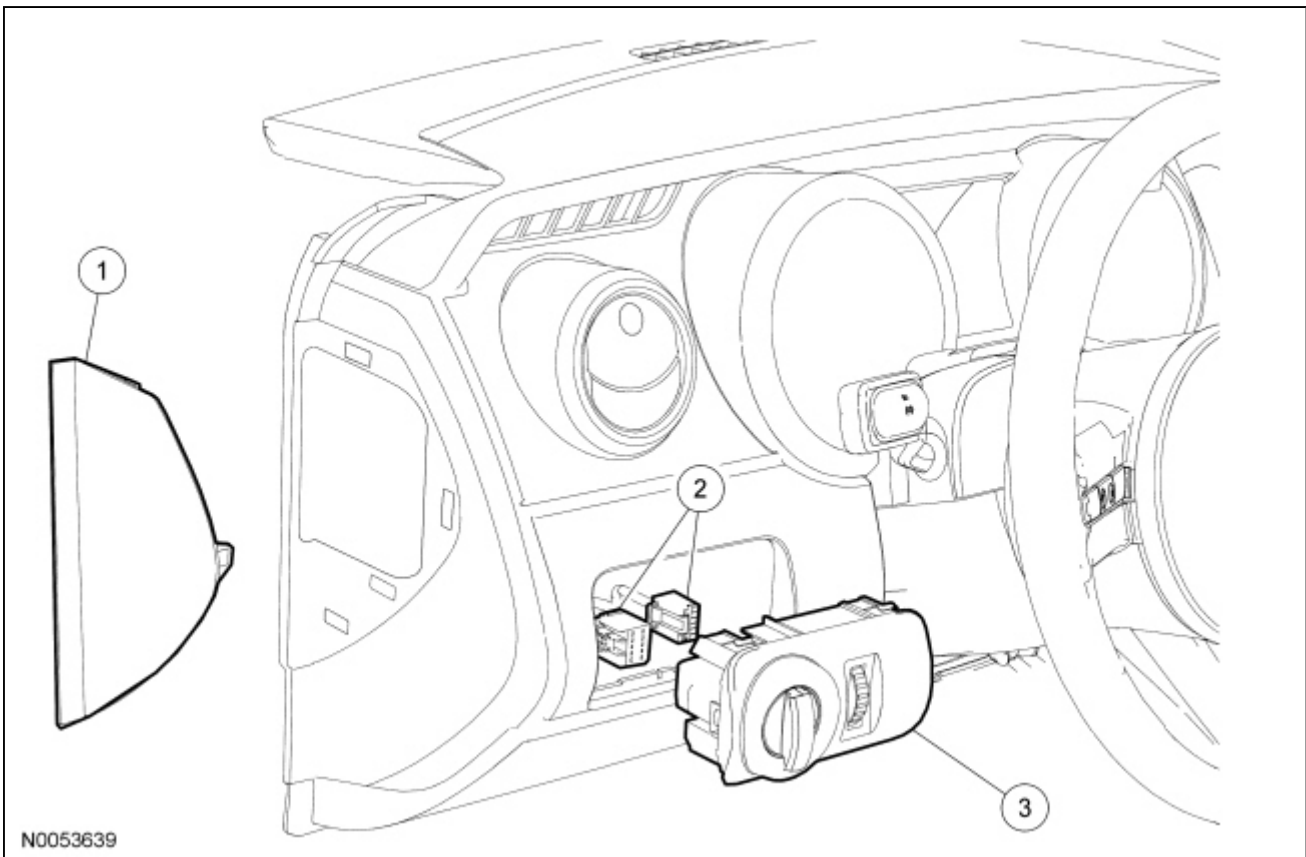


Headlamp Switch



Item	Part Number	Description
1	6304481	Instrument panel side finish panel
2	11654	Headlamp switch
3	—	Headlamp switch electrical connectors (part of 14401)

Removal and Installation

1. Remove the instrument panel side finish panel.
2. **NOTE:** The headlamp switch is removed by pushing from behind.

Remove the headlamp switch.

- Disconnect the electrical connectors.

3. To install, reverse the removal procedure.

